

SHARP

Be Original.

MX-C300P

Digital Full Colour Printer

Space-Saving Desktop Colour Printer Delivers High-Quality Output and Reliable Performance



NETWORK PRINT

Efficient Colour and B/W Output

The MX-C300P delivers a fast output of **30 ppm*** in full colour and in B/W. A warm-up time of just **29 seconds** brings added efficiency.

* A4, short-edge feeding



Superb Image Quality

Sharp's latest third-generation Mycrostoner-HG (High Grade) and a dual-component developer system combine to provide breathtaking image quality. The toner's smaller particle size reduces graininess and enables clear reproduction of fine lines, fine text, and halftone colours.

Built-In Automatic Duplex Printing

The MX-C300P can make two-sided printouts using its built-in stackless duplex module, effectively reducing paper costs as well as saving filing space.



Direct USB Printing

There's a USB port beneath the control panel, which comes in handy when printing data directly from USB memory devices.



Sharpdesk Mobile

Sharpdesk Mobile is a mobile print application that connects the MX-C300P to popular mobile devices via wireless LAN for hassle-free printing.

Other Key Features

- Standard-equipped wireless LAN connection
- Works with the latest and most commonly used operating systems and network protocols, even in mixed OS environments
- Supports, as standard, PCL 6 and PostScript® 3™ emulation
- Standard 300-sheet paper capacity, expandable to 800 sheets
- Accommodates heavy paper up to 220 g/m²
- True 600 x 600 dpi print resolution
- User authentication covering up to 30 users

User-Friendly Design

Easy-to-use 5-line LCD control panel



Compact toner cartridges



SPECIFICATIONS

General

Type	Desktop
Engine speed	A4: Max. 30 ppm
Control panel display	5-line LCD
Paper size	Max. A4, min. A6
Paper capacity (80 g/m ²)	Standard: 300 sheets (250-sheet tray and 50-sheet multi-bypass tray) Maximum: 800 sheets (300 sheets & 500-sheet tray)
Paper weight	Tray: 60 g/m ² to 105 g/m ² Multi-bypass tray: 55 g/m ² to 220 g/m ²
Warm-up time*2	29 sec.
Memory	512MB
Power requirements	230-240V AC, 50/60 Hz
Power consumption	Max. 1.15 kW
Dimensions (W x D x H)	429 x 509 x 337 mm
Weight (approx.)	25 kg

Network Printer

Resolution	600 x 600 dpi
Interface	USB 2.0, 10Base-T/100Base-TX
Supported OS	Windows Server® 2003, Windows Server® 2003 R2, Windows Server® 2008, Windows Server® 2008 R2, Windows Server® 2012, Windows Server® 2012 R2, Windows Server® 2016, Windows Vista®, Windows® 7, Windows® 8, Windows® 8.1, Windows® 10, Mac OS X 10.4, 10.5, 10.6, 10.7, 10.8, 10.9, 10.10, 10.11, macOS Sierra.
Network protocols	TCP/IP (IPv4, IPv6)
Printing protocols*3	LPR, Raw TCP (port 9100), IPP, FTP for downloading print files
PDL	Standard: PCL 6 emulation, PostScript® 3™ emulation
Available fonts	80 fonts for PCL, 136 fonts for PostScript 3 emulation

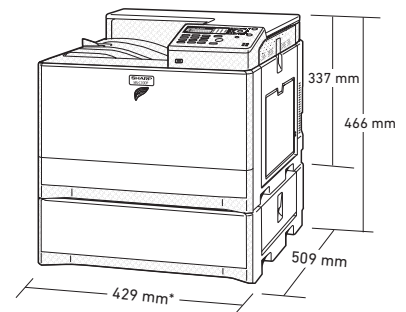
*1: Short-edge feeding.

*2: At rated voltage, 23°C. May vary depending on operating conditions and environment.

*3: IPv6 is supported only by LPR printing protocol.

- Design and specifications are subject to change without prior notice.
- Colour variations to products may occur due to printing.
- Some features require Optional items. Please consult with an authorised Sharp Reseller for details.
- All information and technical details are correct as at machine release date.
- PCL is a registered trademark of Hewlett-Packard Company. PostScript 3 is either a registered trademark or trademark of Adobe Systems Incorporated in the US and/or other countries. Windows, Windows Server, and Windows Vista are registered trademarks of Microsoft Corporation in the US and/or other countries. Mac, OSX and macOS are trademarks of Apple Inc., registered in the US and other countries. All other brand names and product names may be trademarks or registered trademarks of their respective owners.
- The ENERGY STAR logo is a certification mark and may only be used to certify products that have been determined to meet the ENERGY STAR programme requirements. ENERGY STAR and the ENERGY STAR mark are registered trademarks owned by the US Environmental Protection Agency. The ENERGY STAR guidelines apply to products only in the US, the EU, Japan, Canada, Australia, New Zealand, and Taiwan.

SYSTEM CONFIGURATION



*633 mm when multi-bypass tray and output tray are extended. MX-C300P shown with option.

Distributed by:

SHARP

SHARP CORPORATION OF AUSTRALIA PTY LTD
 ABN 40 003 039 405
 P.O. Box 84, Macquarie Park, NSW 2113
 Tel: (02) 9830 4600
 www.sharp.net.au

SHARP CORPORATION OF NEW ZEALAND LTD
 59 Hugo Johnston Drive
 P.O. Box 12244, Penrose, Auckland
 Tel: (09) 573 0111
 www.sharp.net.nz