

## Replacing the Belt Unit

### Recommendation for Replacing the Belt Unit

When the belt unit nears the end of its lifespan, the message [Time to Replace Belt] will appear on the control panel to notify you that it is time to prepare a new belt unit. You can continue printing until the message [Replace Belt] appears, then printing will stop.

The belt unit is recommended to be replaced after about 60,000 prints on A4-sized paper (single-sided printing). However, this page yield is for common printing conditions (3 pages at a time). Printing one page at a time can reduce the belt life by half.

#### Memo

- After the message [Time to Replace Belt] appears, you can continue to print before the message [Replace Belt] appears.

#### Note

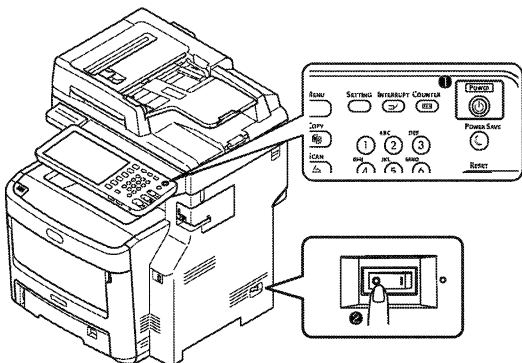
- Even after the message [Replace Belt] appears, you may still be able to print by opening and closing the top cover. However, we recommend replacing the belt unit as soon as possible.

### Replace the belt unit

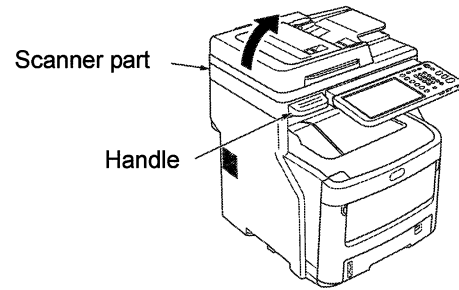
- 1 Press the [POWER] button until a "pip" sound is heard. "Shutdown is in progress." appears for a while, and then the power is turned OFF.

#### Note

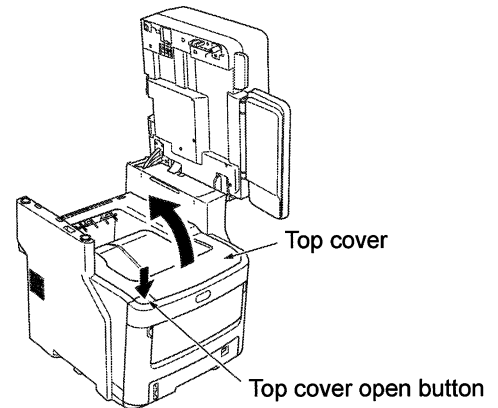
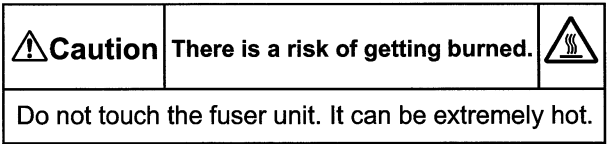
- Do not turn off the device abruptly. It can cause malfunctions.



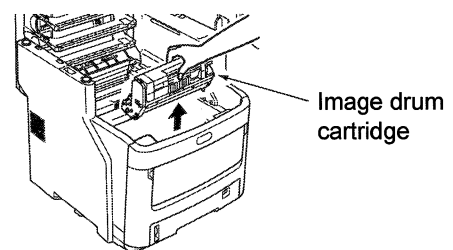
- 2 Hold the handle and lift the scanner part.



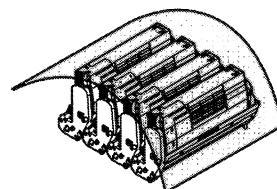
- 3 Push the top cover open button to open the top cover.




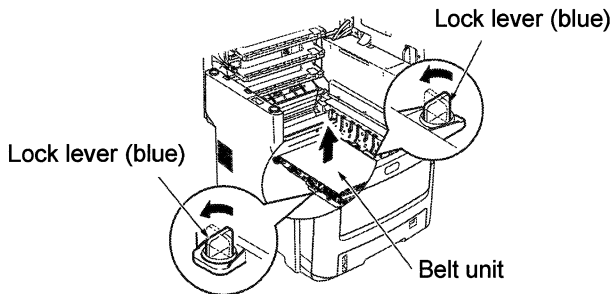
- 4 Remove the old belt unit.
  - (1) Remove the four image drum cartridges, and put them on a table or flat surface.



- (2) Cover the image drum cartridges with paper to minimize their exposure to light.



- (3) Turn the two blue lock levers in the direction of the arrow  to unlock the belt unit. Then grip the two levers and remove the belt unit.




**Memo**

- For information on how to return used belt units, see "Collection of Used Consumables" in the section of customer support / maintenance product warranty / product warranty. If you choose not to return your used belt unit, place it in a plastic bag and dispose of it according to local regulations.

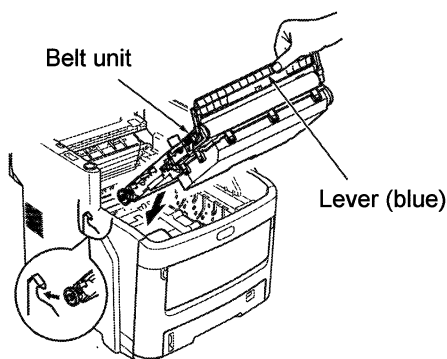
**Note**

- The image drums (the green tubes) are fragile; handle them carefully.
- Do not expose the image drum cartridges to direct sunlight or strong light (more than about 1,500 lux). Do not expose them to room lighting for more than 5 minutes.

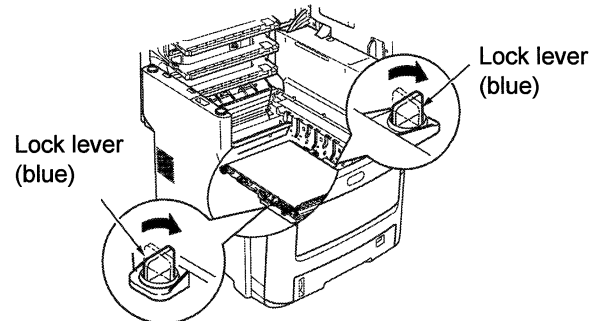
 <b>Warning</b>	Never put a used belt unit into a fire. It could explode and cause burns.
--	---

**5 Install the new belt unit.**

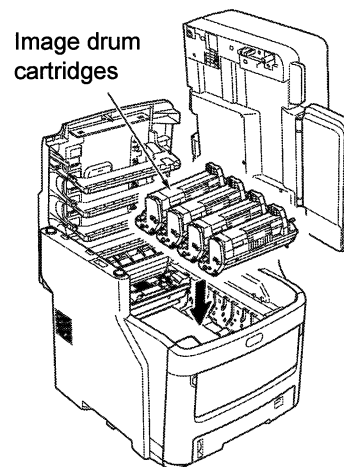
- (1) Remove the new belt unit from its packaging.
- (2) Grip the two blue belt unit levers and install the belt unit.



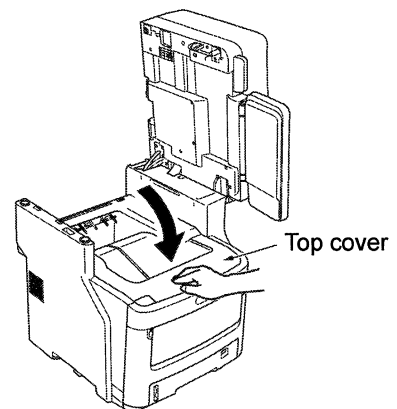
- (3) Rotate the two blue lock levers in the direction of the arrow , and confirm that the belt unit is secure.



- (4) Return the four image drum cartridges to the machine.



**6 Close the top cover.**



**Note**

- If the image drum cartridges cannot be installed, or if the top cover doesn't close properly, check the position of the two blue lock levers.