

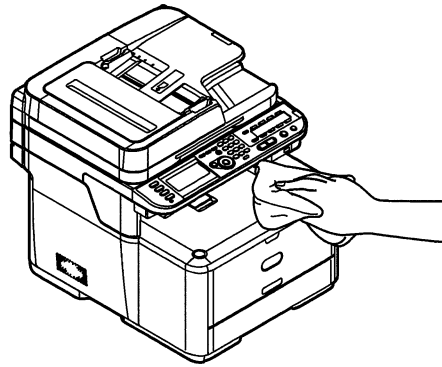
## CLEANING

### CAUTION!

Use a clean, moist, lint-free cloth for cleaning. Do not use benzine, thinners or alcohol as a cleaning agent.

#### ...THE UNIT CASING

1. Switch the printer off. Refer to "Turning off your machine" on page 21 for details.
2. Wipe the unit surface with a soft cloth moistened sparingly with water or neutral detergent.



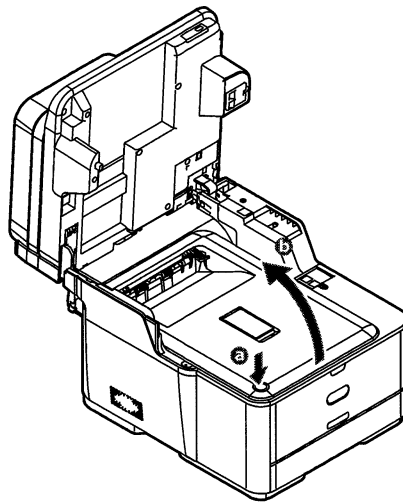
3. Use a soft dry cloth to dry the unit surface.
4. Switch the printer on.

#### ...THE LED HEAD

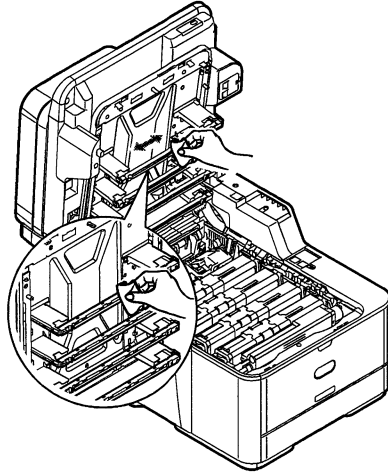
Clean the LED heads when printing does not come out clearly, has white lines or when text is blurred.

There is no need to switch off the printer to clean the lens.

1. Gently raise the scanner.
2. Press the cover release (a) and open the top cover (b) fully.



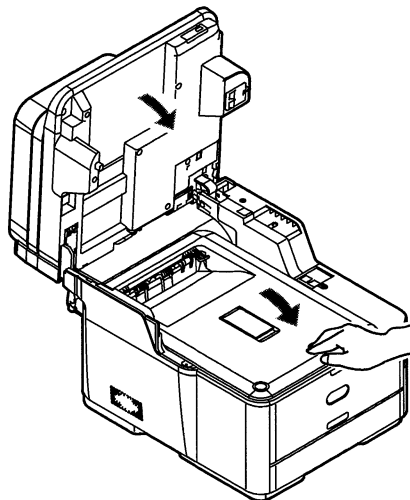
3. Gently wipe the LED head surface with a clean, lint free cloth.



**CAUTION!**

**Do not use methyl alcohol or other solvents on the LED head as damage to the lens surface will occur.**

4. Close the top cover and press down firmly at both sides so that the cover latches closed.



5. Gently lower the scanner.