

## FUSER REPLACEMENT

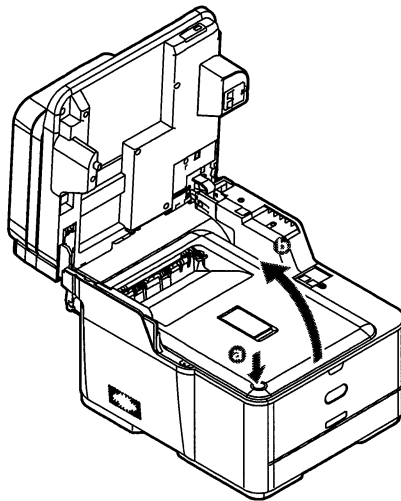
The fuser is located inside the printer just behind the toner cartridges.

### WARNING!

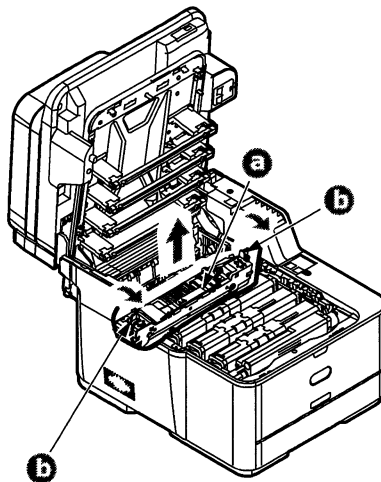
**If the MFP has recently been powered on, some fuser components will be very hot. Handle the fuser with extreme care, holding it only by its handle, which will only be mildly warm to the touch. A warning label clearly indicates the area.**

Switch off the MFP and allow the fuser to cool for about 10 minutes before opening the cover. Refer to "Turning off your machine" on page 21 for details.

1. Gently raise the scanner.
2. Press the cover release (a) and open the top cover (b) fully.

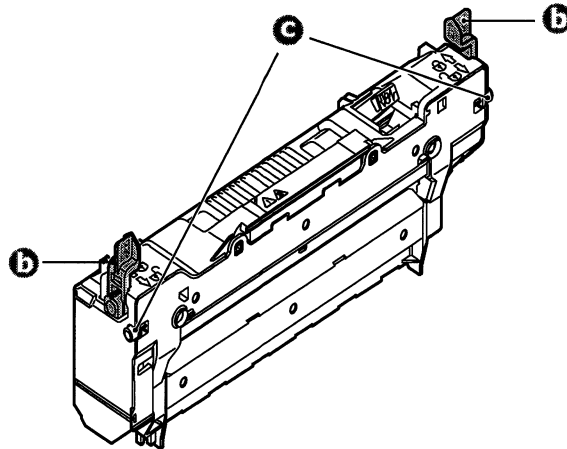


3. Identify the fuser handle (a) on the top of the fuser unit.

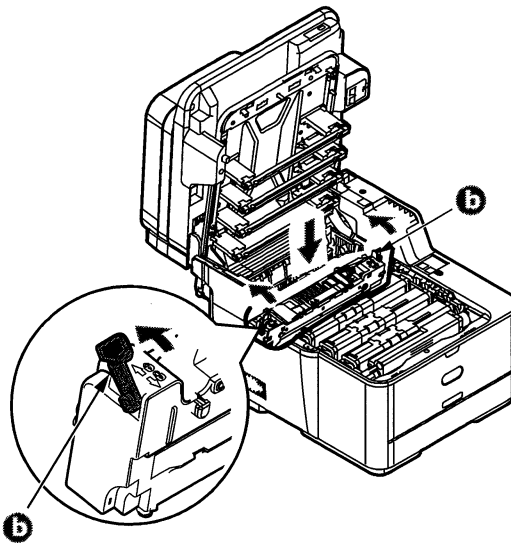


4. Pull the two fuser retaining levers (b) towards the front of the printer so that they are fully upright.
5. Holding the fuser by its handle (a), lift the fuser straight up and out of the printer. If the fuser is still warm, place it on a flat surface which will not be damaged by heat.
6. Remove the new fuser from its packaging and remove the transit material.

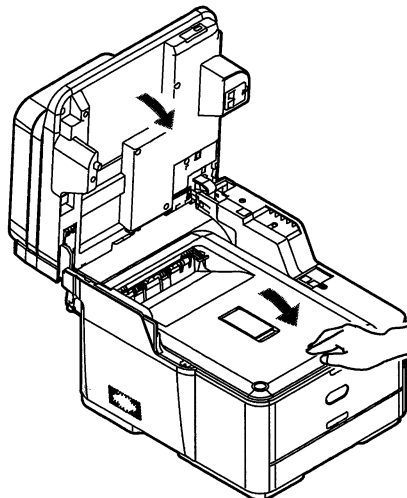
7. Holding the new fuser by its handle, make sure that it is the correct way round. The retaining levers (b) should be fully upright, and the two locating lugs (c) should be towards you.



8. Lower the fuser into the printer, locating the two lugs (c) into their slots in the sides of the printer cavity.
9. Push the two retaining levers (b) towards the rear of the printer to lock the fuser in place.



10. Close the top cover and press down firmly so that the cover latches closed.



11. Gently lower the scanner.