

IMAGE DRUM REPLACEMENT

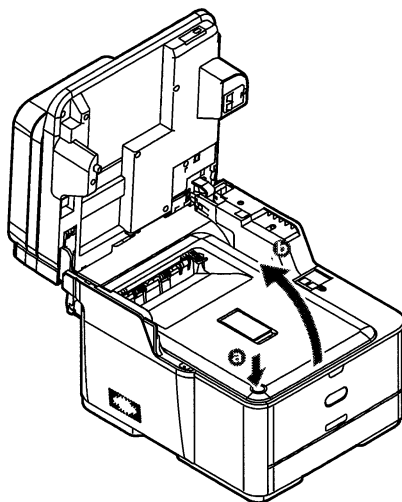
The image drum assembly comes complete with its own installation details which give full instructions on replacement. You are advised to follow these instructions carefully.

REPLACING THE TRANSFER BELT UNIT

The belt unit is located under the image drum assembly.

Switch off the MFP and allow the fuser to cool for about 10 minutes before opening the cover. Refer to "Turning off your machine" on page 21 for details.

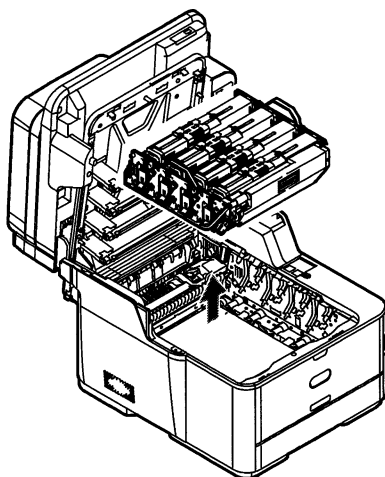
1. Gently raise the scanner.
2. Press the cover release (a) and open the top cover (b) fully.



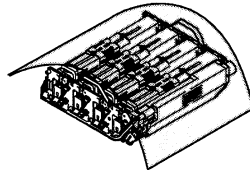
WARNING!

If the MFP has been powered on, the fuser will be hot. This area is clearly labelled. Do not touch.

3. Holding it by its handles, lift the image drum assembly, complete with toner cartridges, up and out of the printer.



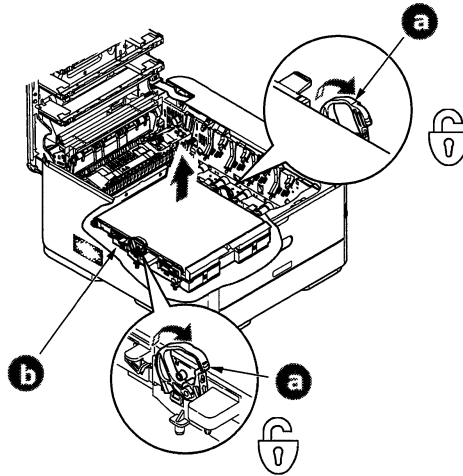
4. Place the assembly in a safe place away from direct sources of heat and light.



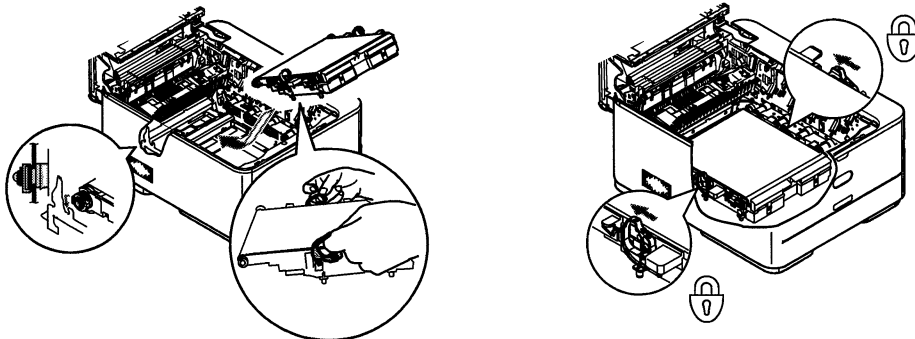
CAUTION!

The green image drum surface at the base of each cartridge is very delicate and light sensitive. Do not touch it and do not expose it to normal room light for more than 5 minutes. If the drum unit needs to be out of the printer for longer than this, please wrap the cartridge inside a black plastic bag to keep it away from light. Never expose the drum to direct sunlight or very bright room lighting.

5. Pull the locking levers at each side of the transfer belt up and towards the front of the machine.

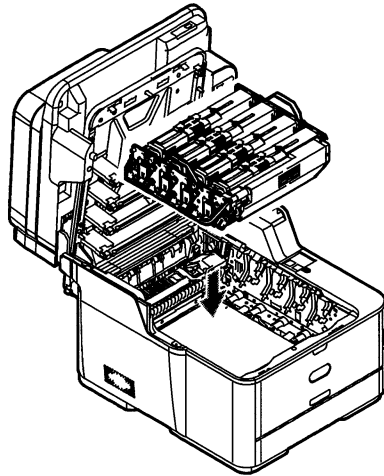


6. Using the locking levers (a), lift the belt (b) upwards and withdraw from the machine.
7. Lower the new belt unit into place, with the drive gear towards the rear of the printer. Locate the drive gear into the gear inside the printer by the rear right corner of the unit, and lower the belt unit flat inside the printer.

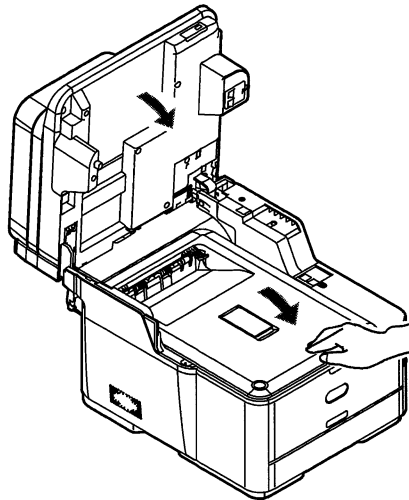


8. Push the locking levers towards the rear of the machine. This will secure the belt unit in place.

- 9.** Holding the image drum assembly by its handles, lower it into place in the machine, locating the pegs at the sides into their slots in the sides of the printer cavity.



- 10.** Close the top cover and press down firmly so that the cover latches closed.



- 11.** Gently lower the scanner.