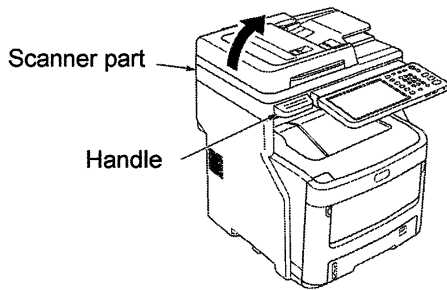


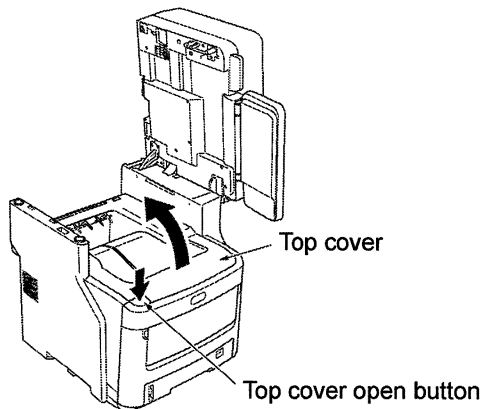
Replacing the Image Drum Cartridge

Hold the handle and lift the scanner part.



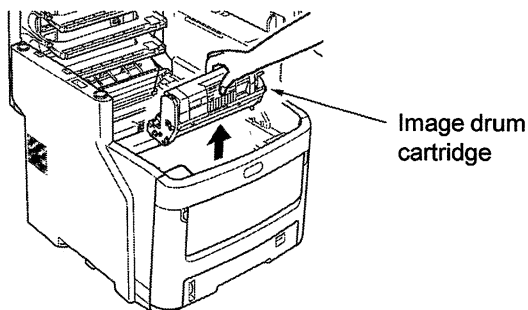
Press the top cover open button to open the top cover.

	Caution There is a risk of getting burned.	
Do not touch the fuser unit. It can be extremely hot.		



Remove the old image drum cartridge.

- (1) Identify the old image drum cartridge by its label color.
- (2) Remove the image drum cartridge (with the toner cartridge attached).



Memo

- For information on how to return used image drum cartridges, see "Collection of Used Consumables" in the section of customer support / maintenance product warranty / product warranty. If you choose not to return your used image drum cartridges, place them in a plastic bag and dispose of them according to local regulations.

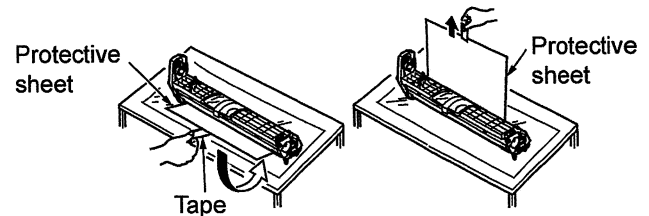
	Warning	Never put a used image drum or toner cartridge into a fire. The toner inside could explode and cause burns.
--	----------------	---

Prepare a new image drum cartridge.

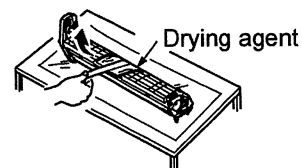
Note

- Do not tilt the image drum. The toner might spill.
- The image drum (the green tube) is fragile; handle it carefully.
- Do not expose the image drum cartridge to direct sunlight or strong light (more than about 1,500 lux). Do not expose them to room lighting for more than 5 minutes.

- (1) Place the image drum cartridge on top of a newspaper.
- (2) Peel off the tape that secures the protective sheet, and carefully remove it in the direction of arrow.

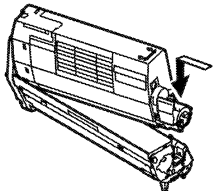


- (3) Remove the desiccant (drying agent).

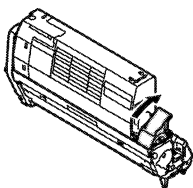


Install the old toner cartridge

Align the hole in the left end of the toner cartridge with the post in the image drum.
Press the right side of the toner cartridge securely into place.

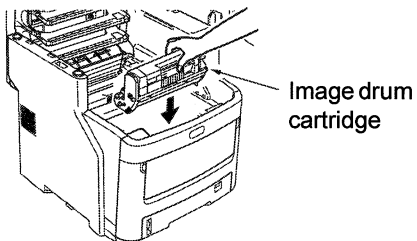


Rotate the blue lever on the toner cartridge in the direction of the arrow until it stops.

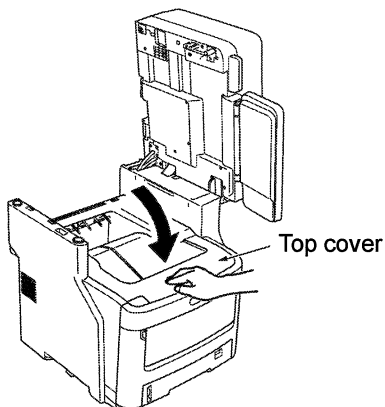


Install the image drum cartridge.

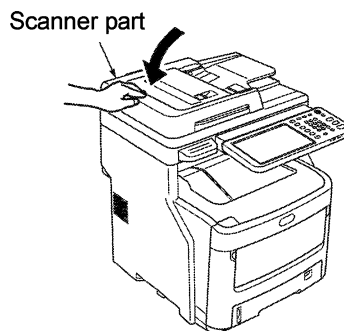
- (1) Make sure that the label color of the image drum cartridge matches the label color in the machine.
- (2) Gently install the image drum cartridge.



Close the top cover.



Return the scanner part to its original position.



Memo

- If you dispose of used image drum cartridges yourself, be sure to place them in a plastic bag and follow local regulations for proper disposal.