

Replacing the Fuser Unit

Recommendation for Replacing the Fuser Unit

When the fuser unit nears the end of its lifespan, the message [Time to Replace Fuser] will appear on the control panel to notify you that it is time to prepare a new fuser. You can continue printing until the message [Replace Fuser] appears, then printing will stop.

The fuser unit is recommended to be replaced after about 60,000 prints on A4-sized paper (single-sided printing).

Memo

- After [Time to Replace Fuser] appears, you can continue to print until [Replace Fuser] appears.

Note

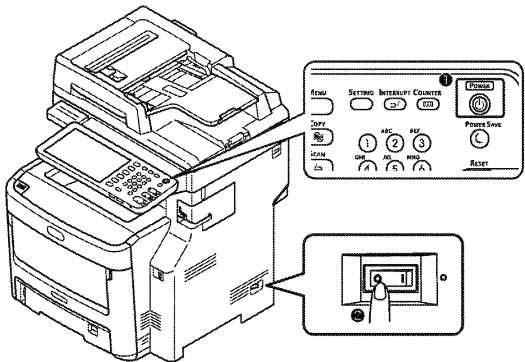
- Even after the message [Replace Fuser] appears, you may still continue to print by opening and closing the top cover; however, this may lead to paper jams and other problems. We recommend replacing the fuser unit as soon as possible.

Replace the fuser unit

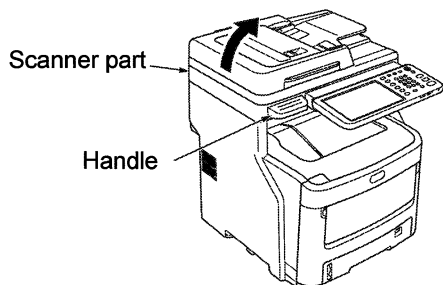
- 1 Press the [POWER] button until a "pip" sound is heard. "Shutdown is in progress." appears for a while, and then the power is turned OFF.

Note

- Do not turn off the device abruptly. It can cause malfunctions.

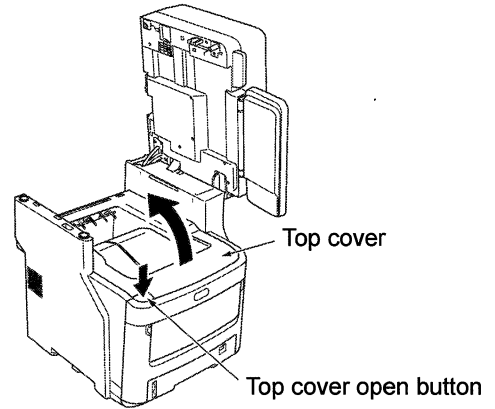


- 2 Hold the handle and lift the scanner part.



- 3 Push the top cover open button to open the top cover.

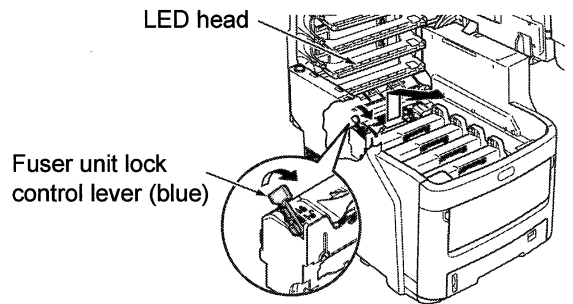
	Caution There is a risk of getting burned.	
Do not touch the fuser unit. It can be extremely hot.		



- 4 Remove the old fuser unit.

	Caution There is a risk of getting burned.	
The fuser unit can become very hot. When removing the fuser, hold it by its handle and be careful not to touch it with your hand. If the fuser is hot, wait until it cools down.		

- (1) Pull the blue fuser unit lock control lever in the direction of the arrow.
- (2) Grip the handle of the fuser unit and pull it up and out.



Note

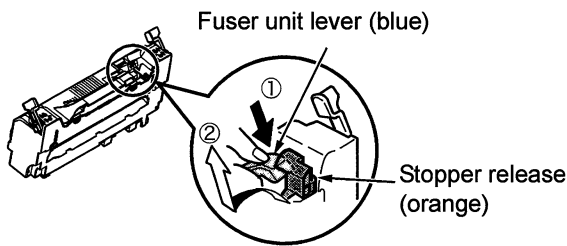
- Avoid hitting the LED head.

Memo

- For information on how to return used fuser units, see "Collection of Used Consumables" in the section of customer support / maintenance product warranty / product warranty. If you choose not to return your used fuser unit, place it in a plastic bag and dispose of it according to local regulations.

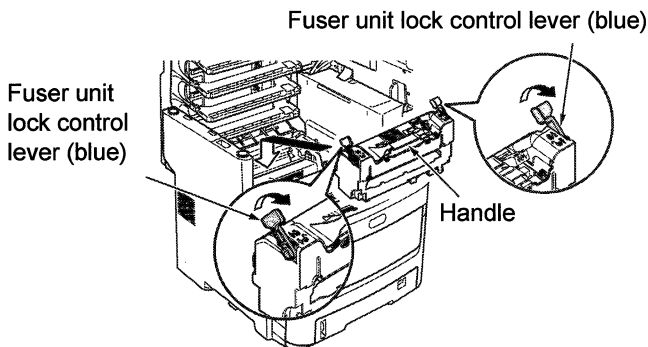
5 Install the new fuser unit.

- (1) Remove the new fuser unit from its packaging.
- (2) Press and hold the blue fuser unit lever in the direction of the arrow, and remove the (orange) stopper release.

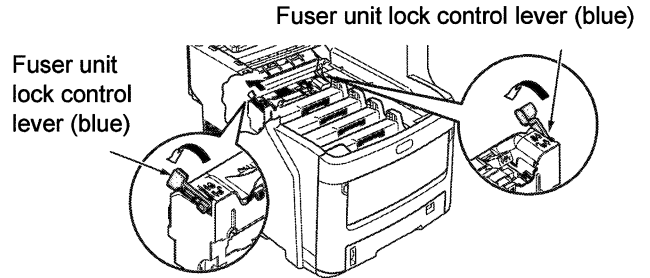


Note

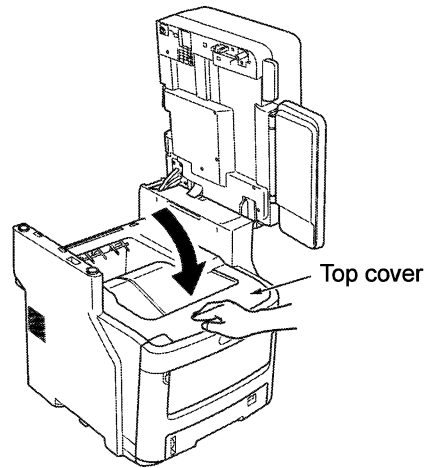
- Use the stopper release if the printer is not used for long periods of time, or is to be transported. Make sure to store safely.
- (3) Move the blue lock control lever on the left and right of the fuser unit in the direction of the arrows.
 - (4) Hold the fuser unit handles, and gently insert the fuser unit into the device.



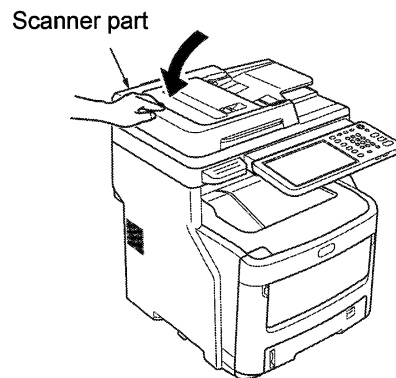
- (5) Press and secure blue lock control lever on the left and right of the fuser unit.



6 Close the top cover.



7 Return the scanner part to its original position.



Memo

- If you dispose of the used fuser unit yourself, be sure to place it in a plastic bag and follow local regulations for proper disposal.