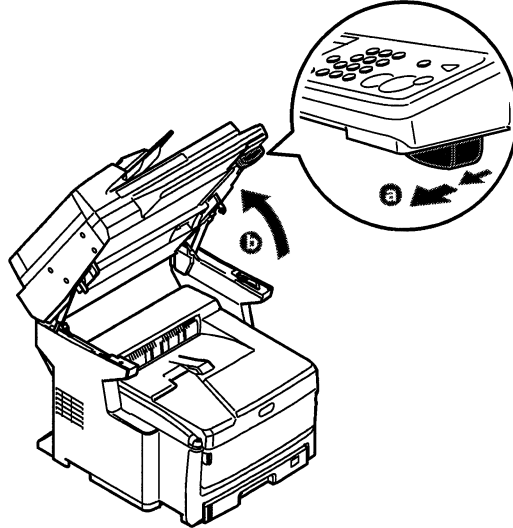


...THE LED HEAD

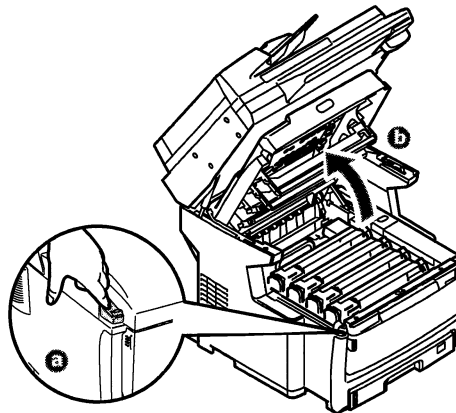
Clean the LED head when printing does not come out clearly, has white lines or when text is blurred.

There is no need to switch the MFP off to clean the lens.

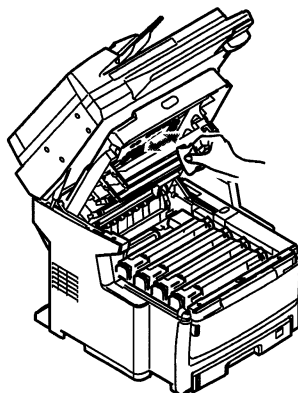
1. Pull the lever (a) firmly to release the lock and then gently raise the scanner (b).



2. Press the cover release (a) and open the top cover (b) fully.



3. Moisten a soft, clean, lint-free cloth and gently wipe the LED head surface.



CAUTION!

Do not use methyl alcohol or other solvents on the LED head as damage to the lens surface will occur.

4. Close the top cover and press down firmly so that the cover latches closed.
5. Gently lower the scanner.

