

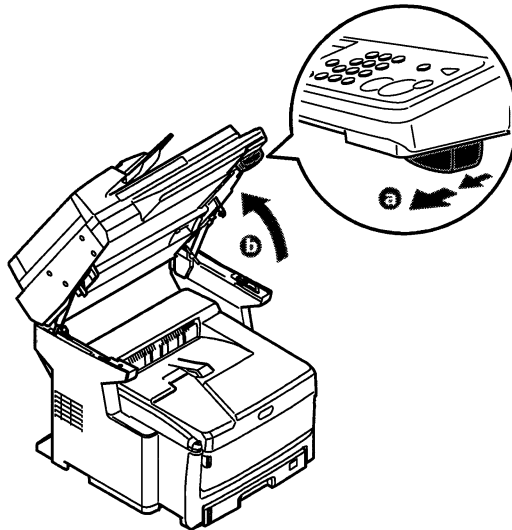
## FUSER REPLACEMENT

The fuser is located inside the MFP just behind the four image drum units.

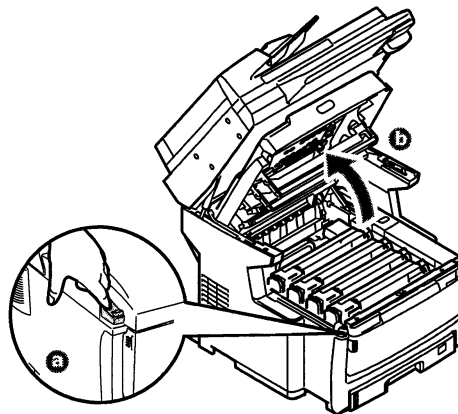
### WARNING!

**If the MFP has recently been powered on, some fuser components will be very hot. Handle the fuser with extreme care, holding it only by its handle, which will only be mildly warm to the touch. A warning label clearly indicates the area.**

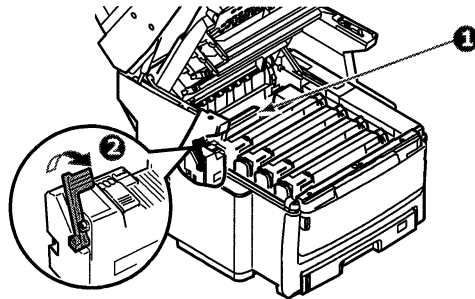
1. Switch off the MFP and allow the fuser to cool for about 10 minutes before opening the cover.
2. Pull the lever (a) firmly to release the lock and then gently raise the scanner (b).



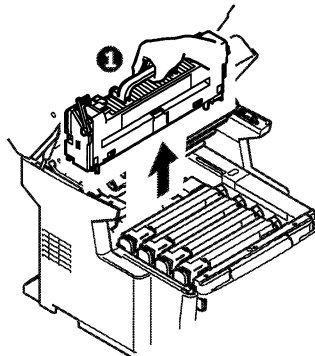
3. Press the cover release (a) and open the top cover (b) fully.



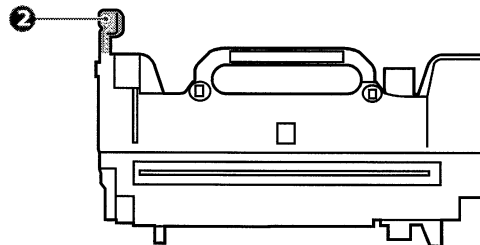
4. Identify the fuser handle (1) on the top of the fuser unit.
5. Pull the fuser retaining lever (2) towards the front of the MFP so that it is fully upright.



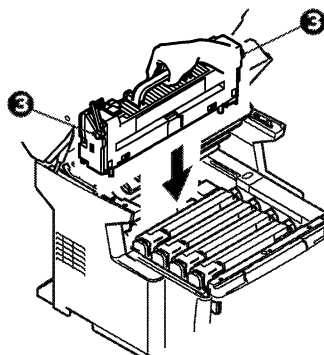
6. Holding the fuser by its handle (1), lift the fuser straight up and out of the MFP. If the fuser is still warm, place it on a flat surface which will not be damaged by heat.



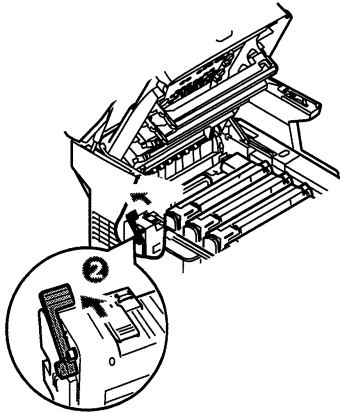
7. Remove the new fuser from its packaging and remove the transit material.
8. Holding the new fuser by its handle, make sure that it is the correct way round. The retaining lever (2) should be fully upright.



9. Lower the fuser into the MFP, locating the two lugs (3) into their slots in the metal partition which separates the fuser area from the image drums.



- 10.** Push the retaining lever (2) towards the rear of the MFP to lock the fuser in place.



- 11.** Close the top cover and press down firmly so that the cover latches closed.  
**12.** Gently lower the scanner.

