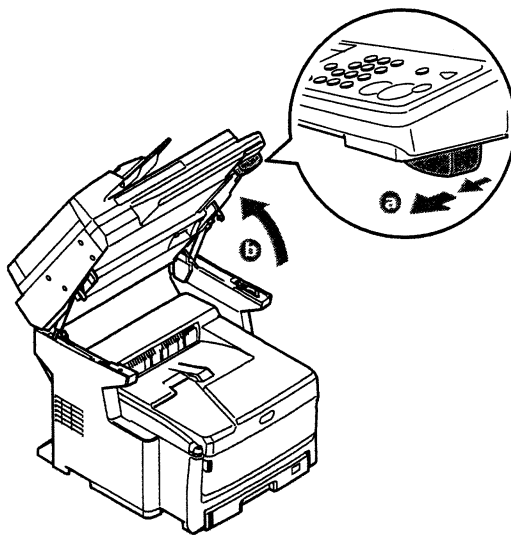


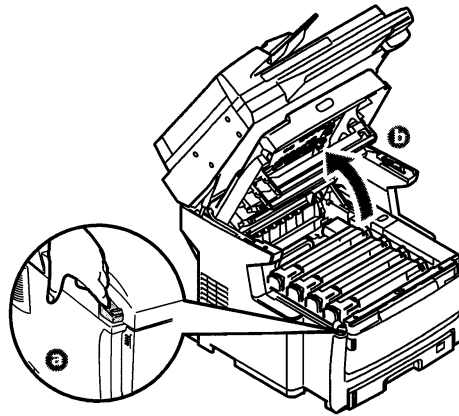
TRANSFER BELT REPLACEMENT

The belt unit is located under the four image drums. This unit requires replacement approximately every 80,000 pages.

1. Switch off the MFP and allow the fuser to cool for about 10 minutes before opening the cover.
2. Pull the lever (a) firmly to release the lock and then gently raise the scanner (b).



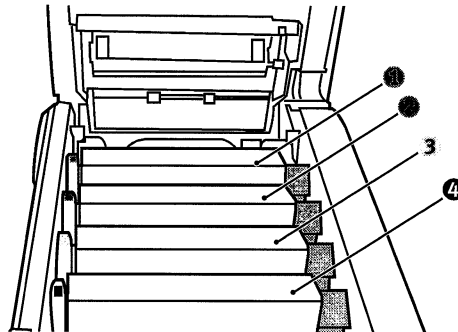
3. Press the cover release (a) and open the top cover (b) fully.



WARNING!

If the MFP has been powered on, the fuser will be hot. This area is clearly labelled. Do not touch.

4. Note the positions of the four cartridges. It is essential that they go back in the same order.



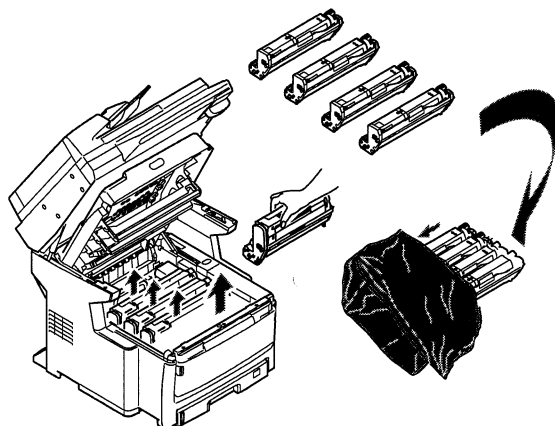
1. Cyan cartridge

2. Magenta cartridge

3. Yellow cartridge

4. Black cartridge

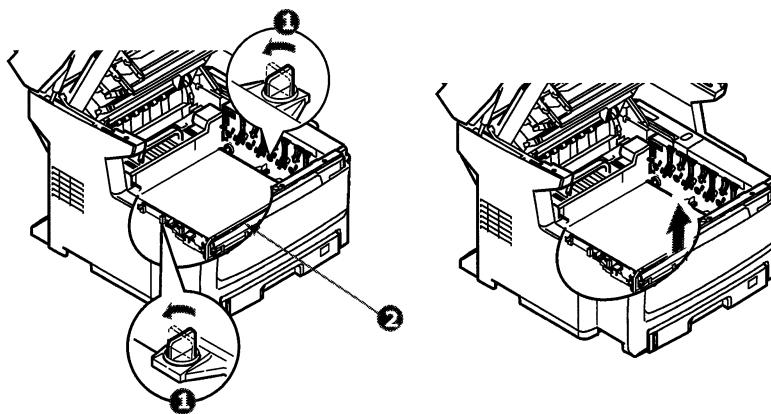
5. Lift each of the image drum units out of the MFP and place them in a safe place away from direct sources of heat and light.



CAUTION!

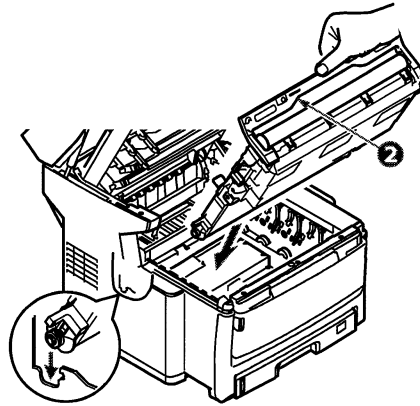
The green image drum surface at the base of each cartridge is very delicate and light sensitive. Do not touch it and do not expose it to normal room light for more than 5 minutes. If the drum unit needs to be out of the MFP for longer than this, please wrap the cartridge inside a black plastic bag to keep it away from light. Never expose the drum to direct sunlight or very bright room lighting.

6. Locate the two fasteners (1) at each side of the belt and the lifting bar (b) at the front end.

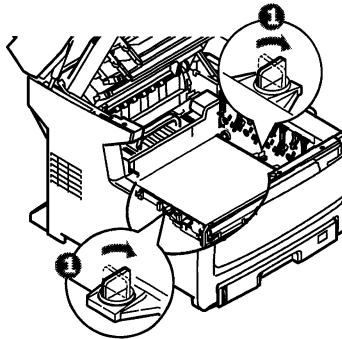


7. Turn the two fasteners 90° to the left. This will release the belt from the MFP chassis.
8. Pull the lifting bar (2) upwards so that belt tilts up towards the front, and withdraw the belt unit from the MFP.

- 9.** Lower the new belt unit into place, with the lifting bar (2) at the front and the drive gear towards the rear of the MFP. Locate the drive gear into the gear inside the printer by the rear left corner of the unit, and lower the belt unit flat inside the MFP.



- 10.** Turn the two fasteners (1) 90° to the right until they lock. This will secure the belt unit in place.



- 11.** Replace the four image drums, complete with their toner cartridges, into the printer in the same sequence as they came out: cyan (nearest the rear), magenta, yellow and black (nearest the front).
- 12.** Close the top cover and press down firmly so that the cover latches closed.
- 13.** Gently lower the scanner.

